



Three Compartment - One Drainboard Stainless Steel Compartment Sinks



Use your smart phone to scan the above QR code to visit our website:
www.bk-resources.com

Certifications:



Features:

- 1/4" Pitched Drainboards To Ensure Proper Drainage
- 1 1/2" Rounded Front and Side Edges
- Accommodates 8" On Center Faucets
- Drains Included
- 9" Backsplash

Material:

- T-304 18 ga. Stainless Steel Deck & Bowls
- 1 5/8" Galvanized Legs
- Adjustable High Impact Corrosion Resistant Feet

Options:

- Pre-Rinse Units & Faucets
- Lever Drains
- Upgraded Bullet Feet
- Upgrade to S/S Legs & Bracing

Part Number	Unit Size (l x w)	Bowl Dim. (l x w x d)	Sets of Faucet Holes	Drainboard Size
BKS-3-15-14-15L/R	62 1/2" x 20 13/16"	15" x 15" x 14"	1	(1)L/R - 15"
BKS-3-1620-12-18L/R	68 1/2" x 25 13/16"	16" x 20" x 12"	1	(1)L/R - 18"
BKS-3-18-12-18L/R	74 1/2" x 23 13/16"	18" x 18" x 12"	1	(1)L/R - 18"
BKS-3-1824-14-24L/R	80 1/2" x 29 13/16"	18" x 24" x 14"	1	(1)L/R - 24"
BKS-3-24-14-24L/R	98 1/2" x 29 13/16"	24" x 24" x 14"	2	(1)L/R - 24"

PRODUCT DATA SHEET

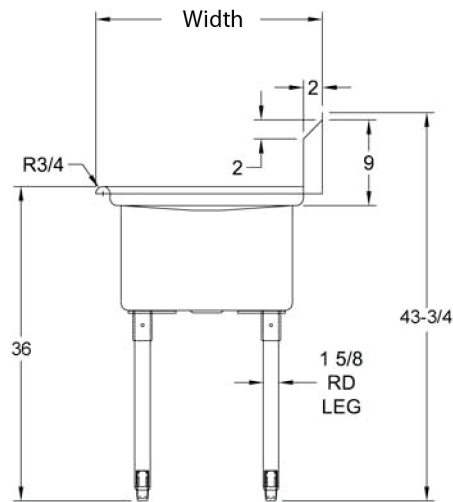
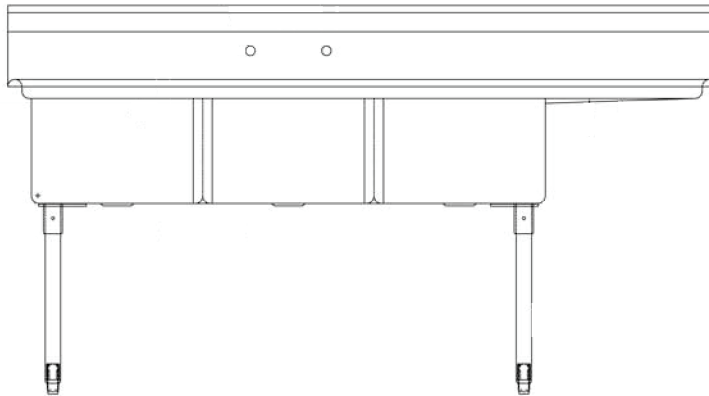
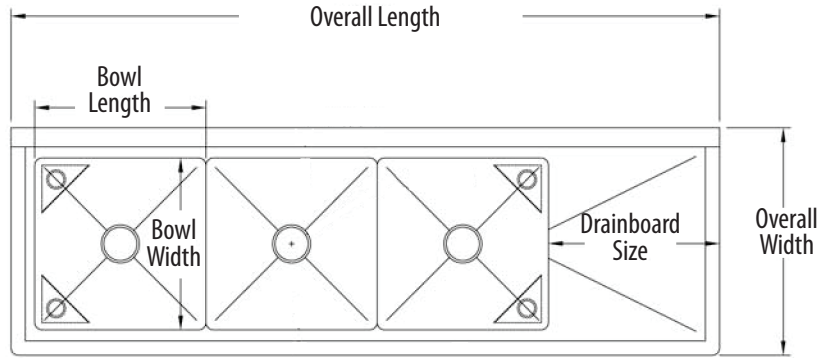
BK RESOURCES





Three Compartment - One Drainboard

Stainless Steel Compartment Sinks



PRODUCT DATA SHEET

BK RESOURCES

